

Datasheet

Carrot MAP sensor



- Measurement range: 0-115/300/400 kPa
- Absolute pressure
- Aluminium housing
- High quality DTM connector

This sensor is designed to measure the absolute air-pressure in the inlet manifold. This can be used for naturally aspirated engines correcting the ambient pressure, or for forced induction engines measuring the boost pressure. There are 3 different models available suitable for different measurement ranges. With its aluminium housing and DTM connector, it is suitable for harsh environment applications.

Technical Specifications

Measurement range:	0 to 115kPa
(absolute pressure)	0 to 300kPa
	0 to 400kPa
Mounting:	2x M3
Power supply:	5V
Weight:	44g
Operating temp. range	-40 to 125°C
Power supply	4.8 to 5.2V
Typical current	9 mA

Connection

- Pin 1: 5V sensor supply
- Pin 2: Sensor signal
- Pin 3: Sensor ground

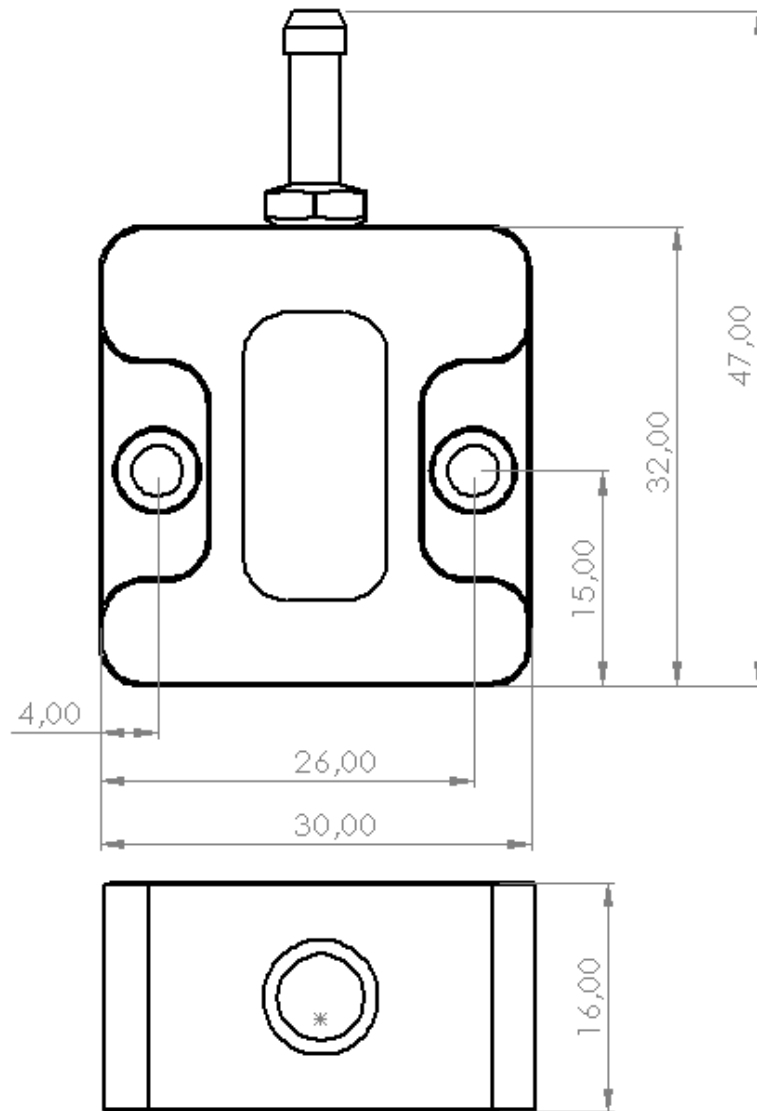
Ordering information

MAP sensor 115kPa - C-030-0005	€135,-
MAP sensor 300kPa - C-030-0006	€135,-
MAP sensor 400kPa - C-030-0007	€135,-

All prices are ex. VAT

Dimensions

Carrot MAP sensor



Calibration

Carrot MAP sensor

Calibration values			
Sensor	C-030-0005 (115kPa)	C-030-0006 (300kPa)	C-030-0007 (400kPa)
Offset (kPa)	10.6	3.5	3.5
kPa per 1000mV (mV)	22.2	63.2	82.6
Voltage at pressure (mV)			
25	650	341	261
50	1775	736	563
75	2900	1132	866
100	4025	1528	1168
150		2319	1774
200		3111	2379
250		3902	2984
300		4694	3589
350			4195
400			4800
Max. tolerance	±2.4%	±1.95%	±1.5%