

Datasheet

Carrot coil driver



The Carrot Ignition driver is needed when controlling ignition coils without amplifier. The Carrot ECU ignition outputs are not suitable for direct control of this type of ignition coil, so a Carrot Ignition driver is required. There are 2 variants available, an ignition driver with 2 coil outputs, and an ignition driver with 4 coil outputs. The Carrot Ignition driver is due to its aluminium housing waterproof and suitable for harsh environment applications.

Technical Specifications

Aluminium housing

2 or 4 Ignition signals (from ECU)

2 or 4 Ignition output signals (to ignition coil)

DTM connectors

Size (2 coil) 55mm x 34mm x 14mm (LxWxH)

Size (4 coil) 55mm x 59mm x 14mm (LxWxH)

Mounting: 2x M3 screws

- Aluminium waterproof housing
- Controlling unamplified ignition coils
- High quality DTM connector
- 2 or 4 coil output model

8 pin DTM connector (4 coil driver)

1	Orange	Signal input 1
2	Green	Signal input 2
3	Purple	Signal input 3
4	Brown	Signal input 4
5	White	Coil output 4
6	White	Coil output 3
7	White	Coil output 2
8	White	Coil output 1

4 pin DTM connector (2-coil driver)

1	Orange	Signal input 1
2	Green	Signal input 2
3	White	Coil output 2
4	White	Coil output 1

Ordering information

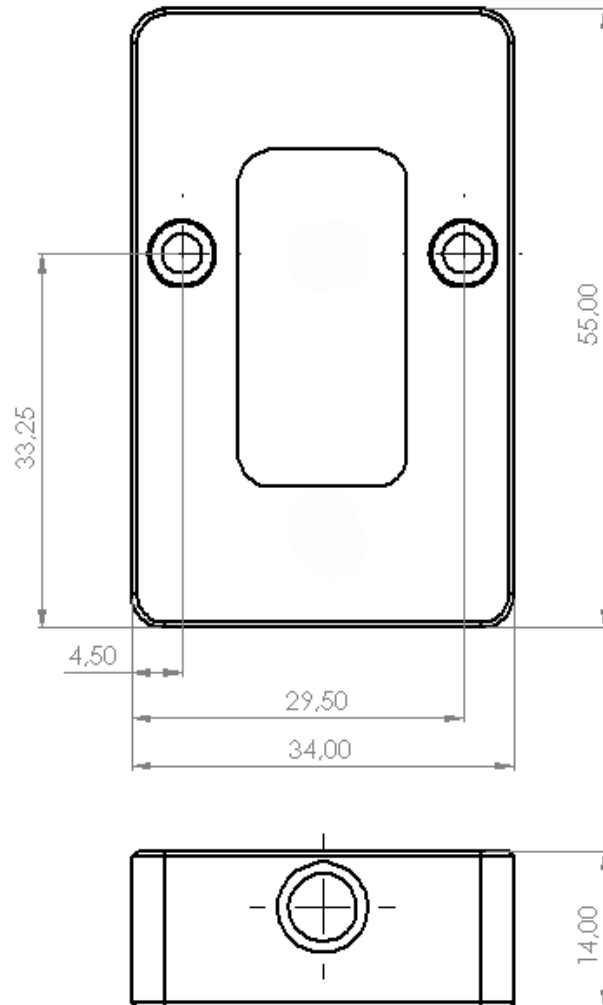
Carrot coil driver 2-coil - C-020-0003 - €120,-

Carrot coil driver 4-coil - C-020-0004 - €160,-

All prices are ex. VAT

Dimensions

Carrot coil driver 2-coil



Dimensions

Carrot coil driver 4-coil

